

6D Fastening Position  
Detecting System



# Machine Vision Nutrunner System

## SMVS new release



# 6D Fastening Position Detecting System

SMVS Machine Vision Nutrunner System is a system, which can be tightened under the condition only when tool goes in a designated position and range by checking the tool position with an equipped camera, then using measure position (X, Y, Z) and posture (Roll, Pitch, Yaw).

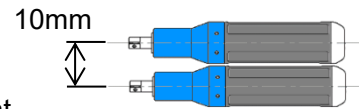
## Feature

- High accuracy

Detecting accuracy is  $\pm 10\text{mm}$ .

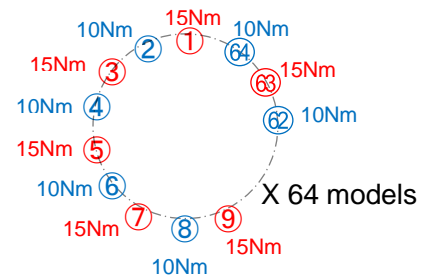
(When the distance between the measurement position and the camera position is 1m, the square measurement is  $1\text{m}^2$  accuracy.)

Accuracy depends on the measurement environment and condition.)



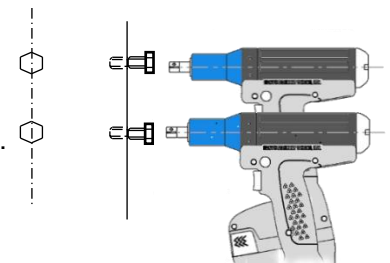
- Available for multiple models

Up to 64 pattern models are available, and each model can be set up to 64 positions and different fastening conditions.



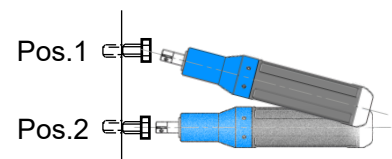
- 6D position and posture detection

Height can be detected even if X and Y are in the same position since detecting not only X and Y positions but also Z.



- Inclined tool detection

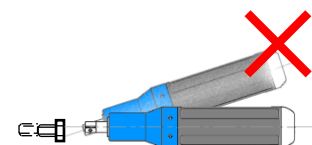
Monitoring the tool posture can prevent a misjudging position even if the tool is inclined.



- Cross-thread prevention

Monitoring the tool posture can also prevent a cross-thread fastening due to being inclined.

Approach angle can be set against whatever a tap with angle.



# 6D Fastening Position Detecting System

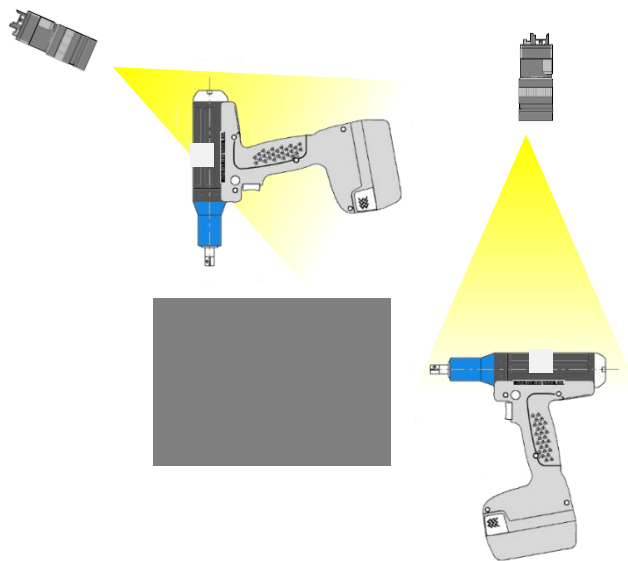
- User-friendly installation

Easy installation is allowed since the measurement can be performed with one camera.

As the camera can be calibrated beforehand, the installation time at the site will be shortened.

- Up to extra cameras connectable (OPTION)

If the camera has a blind spot and a lack of area, the fastening position can be detected by connecting up to two cameras.



- Easy setting

Position setting and program selection can be easily operated by the full-color touch screen of the Vision Controller.

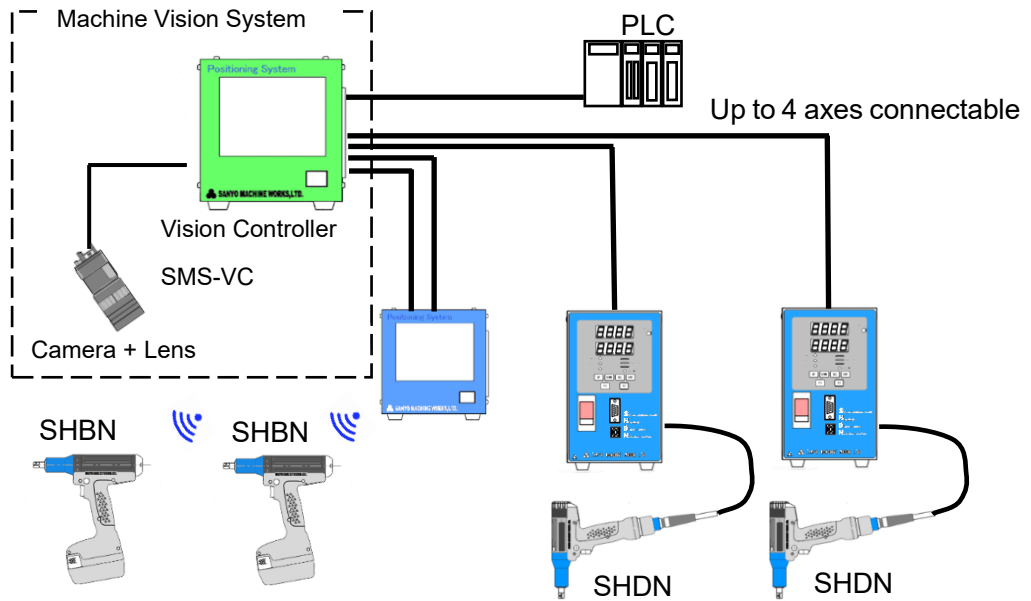
- Wide variety of interfaces

Vision Controller supports a wide variety of external interfaces.

Various field networks such as CC-Link, CC-Link IE, Ethernet I/P, Digital I/O (sink or source) input/output 8 points each, etc. can be performed.

# 6D Fastening Position Detecting System

## System Block Diagram



## Product specifications

### •System Model

System Model is composed of following combination. SMVS (1) – 2 – 3

System Model information		
1	Number of cameras	T1 = One Camera T2 = Two cameras
2	Number of pixels	V16A = 1.6M pixels V31A = 3.1M pixels
3	Focal length of lens	L08A = 8mm L12A = 12mm
Example) SMVS(T1)-V16A-L08A : One Camera 1.6M pixels + Focus 8mm		

### •Vision Controller

Item	Specification
Model	SMS-VC
Interface	I/O (Input / Output 8points each) x 2 ports (Up to 4 ports by option.) RS232C x 2 ports (Up to 4 ports by option) Field Network (Option)
Supply Voltage	AC100 to 240V Single phase 50/60Hz (AC adapter)
Max consumption electric power	360W
Weight	1.3kg

### •Camera

Item	Specification
Model	SMS-V16A / -V31A
Pixels	1.6M / 3.1M

### •Lens

Item	Specification
Model	SMS-L08A / -L12A
Focal length	8mm / 12mm



**SANYO MACHINE WORKS, LTD.**

No.1 Oka, Okimura, Kitanagoya, Aichi, Japan TEL : (0568)21-1111 FAX : (0568)23-4711

●URL : <http://www.sanyo-machine.co.jp> ●e-mail : [west-japan-sales@sanyo-machine.co.jp](mailto:west-japan-sales@sanyo-machine.co.jp)

**SANYO MACHINE AMERICA CORPORATION**

950 S.Rochester Rd., Rochester Hills, Michigan 48307 U.S.A. TEL : 248-651-5911 Fax : 248-651-5915

●URL : <http://www.sanyo-machine.com> ●e-mail : [sales@sanyo-machine.com](mailto:sales@sanyo-machine.com)

**SANYO CANADIAN MACHINE WORKS, INC.**

33 Industrial Drive, Elmira, Ontario, N3B 3B1 Canada TEL : 519-669-1591 Fax : 519-669-5346

●URL : <http://www.sanyomachine.on.ca> ●e-mail : [sales@sanyomachine.on.ca](mailto:sales@sanyomachine.on.ca)

**SIAM SANYO MACHINE WORKS LTD.**

777/24 Moo 9, Bangpla, Subdistrict Bangplee District, Samutprakarn 10540 Thailand TEL:02-136-5901 FAX:02-136-5902

\* The above-mentioned specification may be changed without prior notice.